

Assembly Instructions for: All - Easels



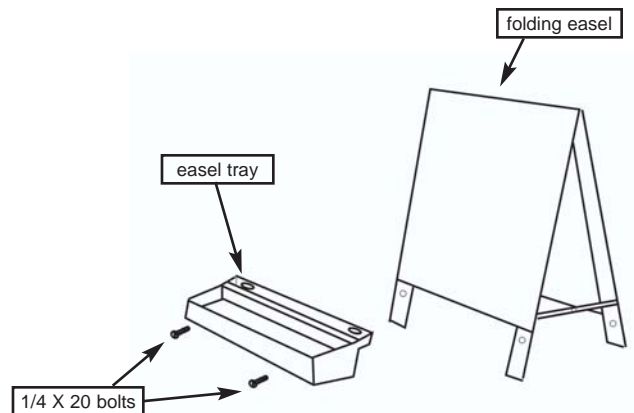
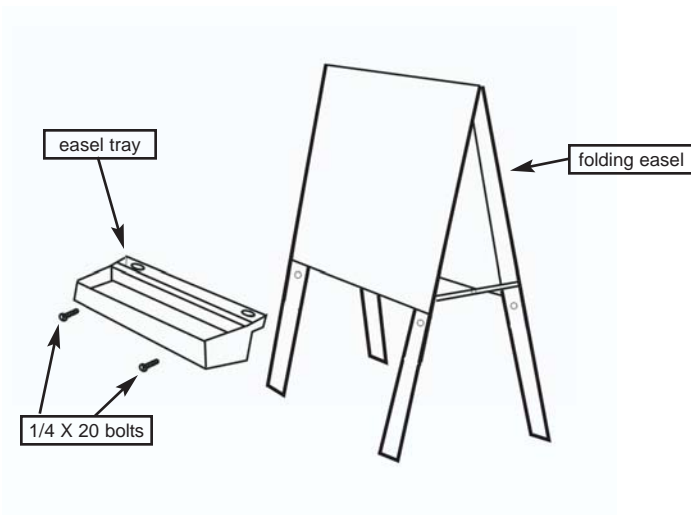
Warning: Choking Hazard
Assembly hardware contains small parts. **Adult assembly required.**



Instructions: Unbox unit and find hardware bag inside of box.

- 1 - Put easel on floor and then open up to set in place. Make sure the easel supports on both side are pushed down to hold the easel in place.
- 2 - Attach paint trays as shown with bolts.
- 3 - Put paper clips on top.

Required Tools:
Medium Size
Phillips Screwdriver



If you have any difficulties assembling this product, please call Childs Play Customer relations at (800) 447-8375 or email us at mail@childsplay1.com
Childs Play 131 Yorktown, Dallas, Tx. 75208
www.childsplay1.com