

Assembly Instructions for: Kitchen Units - All



Warning: Choking Hazard

Assembly hardware contains small parts. **Adult assembly required.**



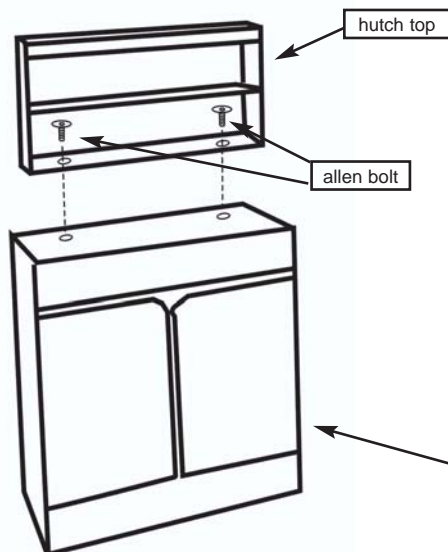
Warning: No Climbing Units are not

intended for children to climb on and it is recommended that units **over 32 inches tall** be **attached to a wall to prevent tipping.**



Instructions: Unbox unit and find hardware bag inside of box.

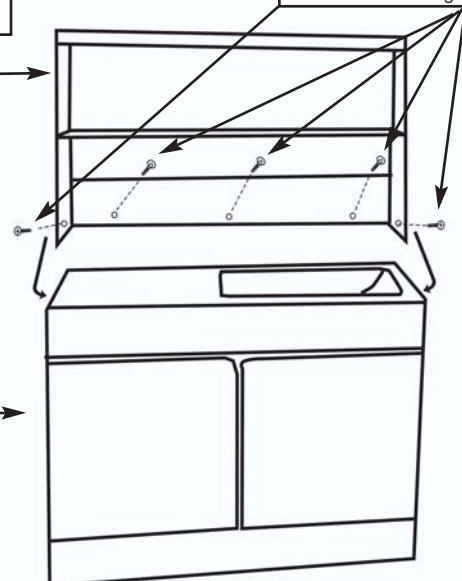
- 1 - Almost all of our kitchen units are fully assembled. You should only have to attach the door pulls.
- 2 - To attach a cupboard top simply place the top on the base and line up the bolt holes. Take the bolts provided and drop them into the holes and tighten with the allen wrench provided.
- 3 - For a 3 in 1 kitchen unit. Align the pre-drilled holes on the side and back with the holes on the base unit and screw on with the grabber screws as shown.



Required Tools:
Medium Size
Phillips Screwdriver

3 in 1 top

1" washer head grabber screw



kitchen unit base

If you have any difficulties assembling this product, please call Childs Play Customer relations at (800) 447-8375 or email us at mail@childsplay1.com
Childs Play 131 Yorktown, Dallas, Tx. 75208
www.childsplay1.com