



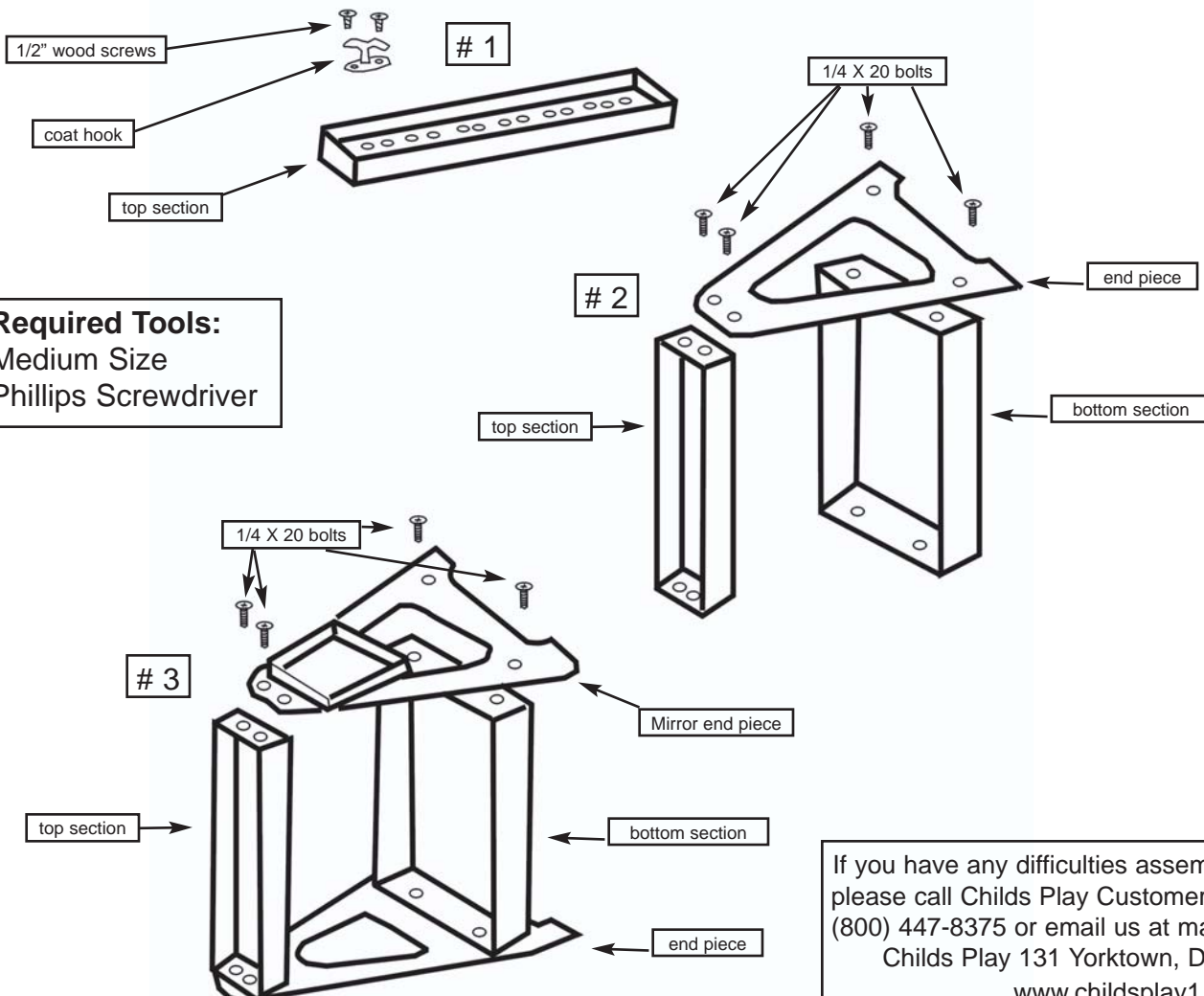
**Warning: Choking Hazard**

Assembly hardware contains small parts. **Adult assembly required.**

## Assembly Instructions for: Dress Up Storage Unit - R0019

Instructions: Unbox unit and find hardware bag inside of box.

- 1 - Place top section upside down and attach all coat hooks with 1/2" screws as shown # 1.
- 2 - Place both top and bottom pieces upright on floor as shown # 2. Make sure coat hooks are towards bottom section.  
**Make sure nothing or no one will be hit if the pieces fall over. It is best if you have someone to hold the two pieces while you bolt on the ends.**
- 3 - Place one of the end pieces on top of the top and bottom and drop (1/4 X 20) bolts into holes as shown and tighten with screw driver.
- 4 - Carefully turn the partially assembled unit over and repeat step 3 with other end piece # 3.
- 5 - Set unit upright and make sure all the bolts are tight.



**Required Tools:**  
Medium Size  
Phillips Screwdriver

If you have any difficulties assembling this product, please call Childs Play Customer relations at (800) 447-8375 or email us at [mail@childisplay1.com](mailto:mail@childisplay1.com)  
Childs Play 131 Yorktown, Dallas, Tx. 75208  
[www.childisplay1.com](http://www.childisplay1.com)